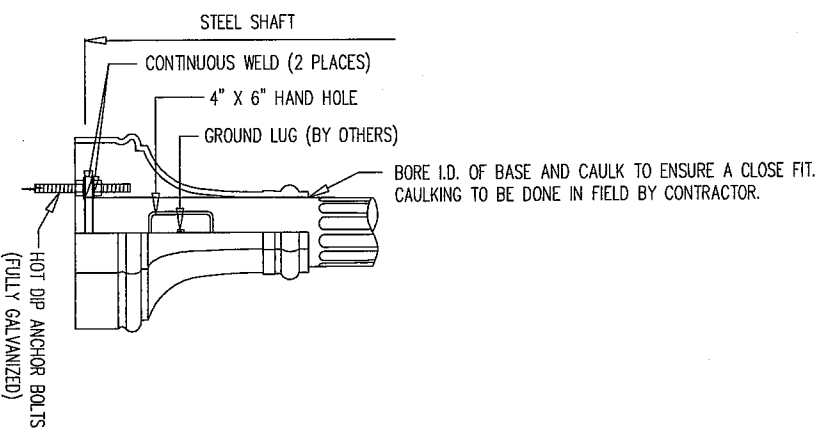
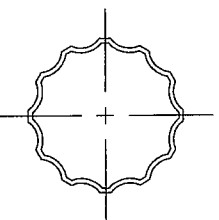
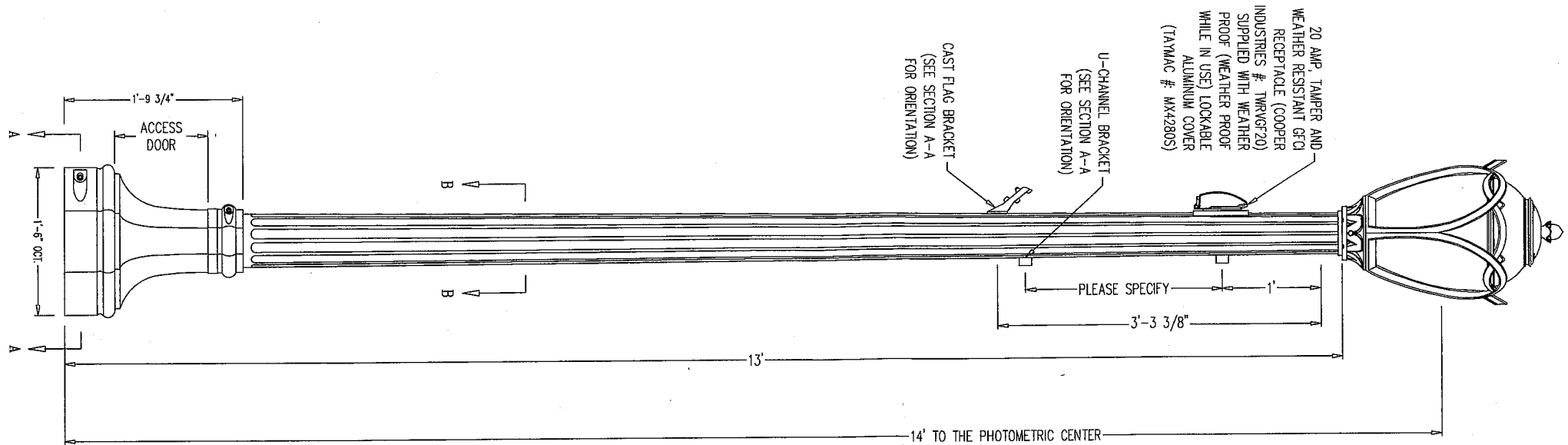


OPTIONAL LOGO
DESIGN TO BE DETERMINED
N.T.S.

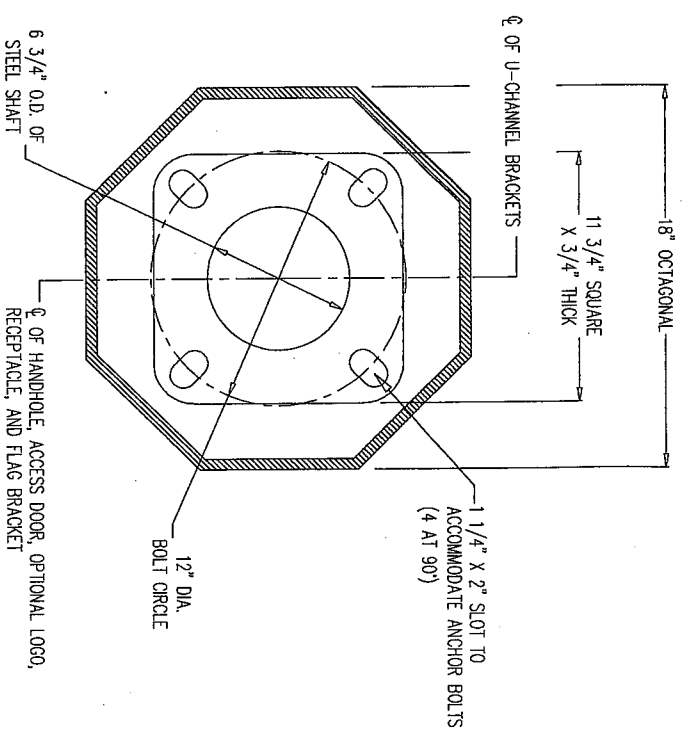


LUMINAIRE SPECIFICATIONS
STYLE: PARK CENTRAL LED LUMINAIRE
HEIGHT: 27'
WIDTH: 17 1/2" DIAMETER
MATERIAL: CAST ALUMINUM ALLOY A.N.S.I. 356, PER A.S.T.M. B26-95
FINISH: POWDER COAT - RIVER TEXTURE GLOSS BLACK
GLOBE: KEYSLOTTED FROSTED ACRYLIC
LAMPS: 60 WATT LED
VOLTAGE: ELECTRONIC WIRED AT 120-277 VOLTS
COLOR TEMPERATURE: 4000K (MEDIUM WHITE)
DISTRIBUTION: TYPE III (ASYMMETRIC) DISTRIBUTION

CATALOG NO.: ALMPQ-LE060/ENV/X2-40-YKSF-CR3-FCP-CU
60 WATT: ALMPQ-LE040/ENV/X2-40-YKSF-CR3-FCP-CU
40 WATT: ALMPQ-LE040/ENV/X2-40-YKSF-CR3-FCP-CU

Δ LAMP POST SPECIFICATIONS

STYLE: HARRISBURG/BALTIMORE
HEIGHT: 13'-0"
PHOTOMETRIC CENTER: 14'-0"
BASE: 18" OCTAGONAL (FLAT TO FLAT) WRAP BASE
MATERIAL: 12 FLAT FLUTE - 11 GAUGE - STEEL MONOTUBE CONSTRUCTION
SHAFT: 2 PIECE (WRAP AROUND) HEAVY WALL CAST DUCTILE IRON PER A.S.T.M. A-536-84 GRADE 65-45-12
BASE: POWDER COAT - RIVER TEXTURE GLOSS BLACK
FINISH: LOCATED IN BASE SECURED WITH TAMPER PROOF HEX SOCKET SECURITY MACHINE SCREWS
ACCESS DOOR: 1/4" - 20 SQUARE NUT WELDED TO INSIDE WALL OF SHAFT
GROUND STUD PROVISIONS: OPPOSITE HAND HOLE TO ACCOMMODATE GROUND STUD (STUD BY OTHER)
ANCHOR BOLTS: (4) 3/4" DIA. X 24" LONG + 3 HOOK FULLY GALVANIZED WITH 2 GALVANIZED NUTS AND 2 GALVANIZED WASHERS PER BOLT
BOLT PROJECTION: 5" REQUIRED
TENON: 2 7/8" DIA. X 2 1/2" HIGH (TO ACCEPT LUMINAIRE)
CATALOG NO: DWHRB-18-CU
BASE: SMZP-G11-6.75-13-INZ88/2.50-FB-GFW-XC-CU
SHAFT:



Spring City Electrical Mfg. Co.

HALL AND MAIN STREETS - P.O. BOX 19 - SPRING CITY, PA. 19475
PHONE (610) 948-4000 - FAX (610) 948-5577 - WWW.SPRINGCITY.COM

Δ REVISED BY: W.R.W.

DATE: 12-19-17

DESCRIPTION	THE HARRISBURG/BALTIMORE CAST DUCTILE POST WITH THE PARK CENTRAL LED LUMINAIRE		
CUSTOMER	THE VILLAGE OF WATKINS GLEN, NEW YORK		
JOB	SCALE	DRAWN BY:	DATE
N.T.S.	N.T.S.	T.E.B.	11-22-17
			DRAWING NO. S104004

This drawing is property of Spring City Elect. Mfg. and is issued to the recipient with the understanding that it shall not be copied, duplicated, passed on to unauthorized parties, nor used for any purpose other than that for which it is specifically furnished except with Spring City's written permission.